

# VanX



|            |                        |             |                |             |
|------------|------------------------|-------------|----------------|-------------|
| Form:      | BA-KD-003E             | Originator: | Markus Brenner | Page 1 of 9 |
| File name: | Operating instructions | Revision:   | 10.07.2012     |             |



**Schnierle GmbH:**

*Seating comfort for high demands*

*You have purchased a **Schnierle** seat. Congratulations*

*Please take your seat and enjoy seating comfort and safety. Take pleasure in a seat that features ease of operation and a high level of stability.*

We wish you a good trip

Your **Schnierle** team

**Imprint:**

Hermann Schnierle GmbH  
Dieselstrasse 43  
86368 Gersthofen

General Managers:

Hermann Schnierle  
Rainer Höfele  
Martin Schnierle

HRB Augsburg No 7256  
VAT ID: DE 127483331

|            |                        |             |                |             |
|------------|------------------------|-------------|----------------|-------------|
| Form:      | BA-KD-003E             | Originator: | Markus Brenner | Page 2 of 9 |
| File name: | Operating instructions | Revision:   | 10.07.2012     |             |



## Contents

|                                  |       |
|----------------------------------|-------|
| General information.....         | 5     |
| Safety instructions.....         | 6 / 7 |
| Warranty and liability.....      | 7     |
| Seat function and operation..... | 7     |
| 1. Armrests * **                 | 7     |
| 2. Armrest adjustment            | 7     |
| 3. Seat belt                     | 7     |
| 4. Seat adjustment ***           | 8     |
| 5. Backrest adjustment           | 8     |
| 6. Headrest adjustment           | 8     |
| 7. Isofix                        | 9     |
| 8. Top tether                    | 9     |
| Care.....                        | 9     |

\* If fitted

\*\* Can be retrofitted

\*\*\* Depending on  
version

|            |                        |             |                |             |
|------------|------------------------|-------------|----------------|-------------|
| Form:      | BA-KD-003E             | Originator: | Markus Brenner | Page 4 of 9 |
| File name: | Operating instructions | Revision:   | 10.07.2012     |             |

## General information

- The operating instructions must have been read in full prior to use
- The operating instructions must be carried in the vehicle and be available to the vehicle driver at any time.
- The seat is only allowed to be installed, serviced and repaired by appropriately trained personnel. Any national regulations or installation requirements stated by the vehicle manufacturer are to be followed during this process.

The national installation requirements are available from Hermann Schnierle GmbH or the vehicle manufacturer

- A functioning and individually adjusted seat is a prerequisite for protecting your health. Ensure your seat continues to function correctly with appropriate care and regular checks on its function



The function tests are to be undertaken as a minimum at the same intervals at which the vehicle is serviced (see servicing schedule for the vehicle)

- The operating instructions are to be kept with the vehicle. If the seat is passed on to a third party, the operating instructions are also to be passed on
- Subject to change for the purpose of technical progress, as a result there may be differences to the series production seat



## Safety instructions

- To prevent injuries, it is not allowed to store any objects in the adjustment area of the seat
- Prior to using the seat any packaging material must be removed from the seat and backrest upholstery
- To prevent accidents, it must be checked whether all adjustment features are correctly engaged prior to driving the vehicle
- The adjustment features on the seat are not allowed to be operated while driving the vehicle.
- Only adjust the seat using the adjusting levers provided for this purpose

### **-RISK OF CRUSHING-**

- Any modification to the series production configuration of the seat (e.g. by adding accessories and spare parts that are not genuine parts from Hermann Schnierle GmbH) may render void the official approval for the driver's seat. Functions of the seat may be degraded and endanger your safety. For this reason any physical modification to the seat must be approved by Hermann Schnierle GmbH.
- During the installation and removal of the seat it is imperative the information from the vehicle manufacturer is observed

|            |                        |             |                |             |
|------------|------------------------|-------------|----------------|-------------|
| Form:      | BA-KD-003E             | Originator: | Markus Brenner | Page 5 of 9 |
| File name: | Operating instructions | Revision:   | 10.07.2012     |             |



## Safety instructions

- Seat belts are fitted to the seat and can be replaced. It is only possible to replace the seat belts after prior approval by Hermann Schnierle GmbH.
- Seat belts must be fastened prior to driving the vehicle. The seat belts must be replaced after an accident. In addition, after an accident the seat and the seat fastening are to be inspected by appropriately qualified personnel
- It is to be ensured that no objects or liquids enter the interior of the vehicle
- The seat is not water-proof and is to be protected against splashing
- Seats manufactured by Hermann Schnierle GmbH are only allowed to be modified and accessories are only allowed to be fitted to the seats by authorised specialist workshops, trained or appropriately instructed personnel or after approval by Hermann Schnierle GmbH taking into account the applicable work instructions as well as national regulations.  
In case of incorrect installation there is a risk of injuries and the function of the seat or the parts fitted cannot be guaranteed.
- The wearing parts and fastenings on the seat are to be checked from time to time.

## Warranty and liability

- Hermann Schnierle GmbH will not provide any warranty or accept any liability for the resulting damage in case of incorrect installation, usage and repair.

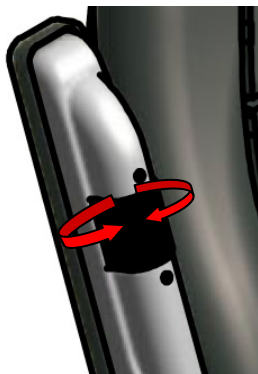
|            |                        |             |                |             |
|------------|------------------------|-------------|----------------|-------------|
| Form:      | BA-KD-003E             | Originator: | Markus Brenner | Page 6 of 9 |
| File name: | Operating instructions | Revision:   | 10.07.2012     |             |

## Seat function and operation



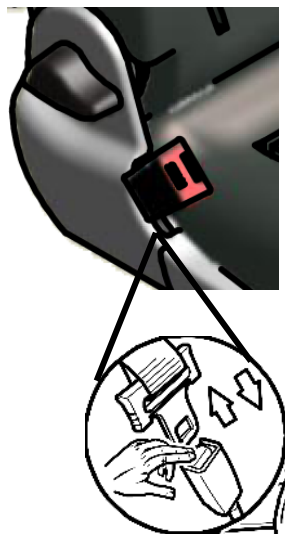
### 1. Armrests:

Armrests can be folded up as required



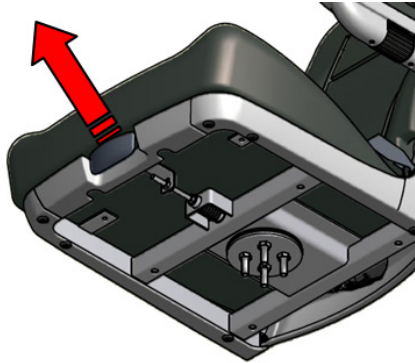
### 2. Armrest adjustment:

The tilt angle can be adjusted to the required position using a handwheel.



### 3. Seat belt:

The integrated seat belt is always to be fastened prior to starting the journey. The belt is only allowed to be unfastened once the vehicle has come to a complete stop and the engine has been switched off; the belt is unfastened by pressing the belt catch.



#### 4. Seat adjustment:

The swivel unit is unlocked by actuating the adjusting lever toward the front. After unlocking the seat can be rotated to both sides and locked again after a quarter of a turn.



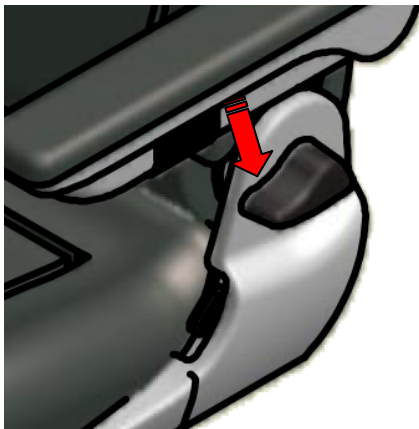
**Caution, risk of accident:**

**Do not actuate adjusting lever while driving.**

**Caution, risk of crushing:**

**Only adjust the seat using the adjusting lever provided for this purpose**

The adjusting lever must engage in the required position after the adjustment of the seat. Once engaged it must not be possible to move the seat to any other position



#### 5. Backrest adjustment:

The backrest can be placed in the required position by actuating the backrest adjusting lever. The adjustment is continuous.

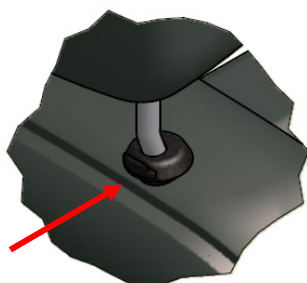


**Caution, risk of accident:**

**Do not actuate adjusting lever while driving.**

**Caution, risk of crushing:**

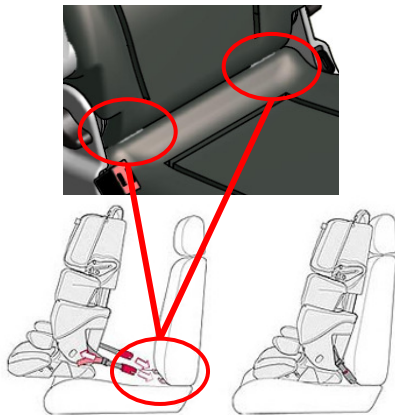
**Only adjust seat using the adjusting lever provided for this purpose. It is also to be ensured that there are no objects in the movement area of the backrest.**



#### 6. Headrest adjustment:

The headrests can be adjusted to the required height and position by actuating the push-buttons.





### Isofix:

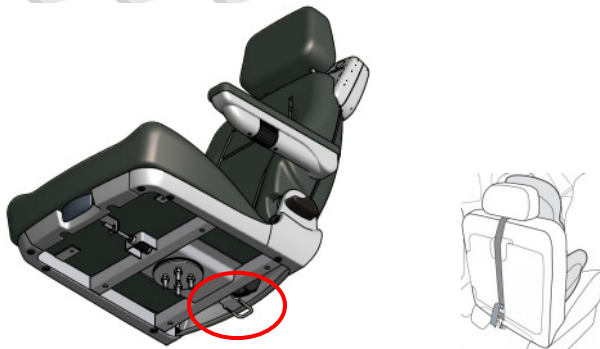
The Isofix fastening comprises two 6-mm thick retaining brackets that are located in the gap between the backrest and the seat cushion.

The straps attached to the child seat are hooked to these fastenings.



### Top tether:

Top tether : this is an additional strap that is passed over the seat back and fastened to a bracket on the vehicle using a hook, and then tensioned.



**Please follow the exact information specified by the manufacturer of the related child seat.**

## Care

Dirt can degrade the function of the seat.

For this reason keep your driver's seat clean!

Upholstery does not need to be removed from the seat frame for care. The seat is also not to be freed of soiling using unsuitable cleaning methods (e.g. high pressure cleaners etc.).

During the cleaning of upholstered surfaces, avoid soaking the upholstery.

Normal dirt is to be cleaned using a vacuum cleaner. In case of more stubborn dirt, clean using a commercially available upholstery, leather or plastic cleaning agent. Compatibility is to be checked first on small, hidden surfaces.

|            |                        |             |                |             |
|------------|------------------------|-------------|----------------|-------------|
| Form:      | BA-KD-003E             | Originator: | Markus Brenner | Page 9 of 9 |
| File name: | Operating instructions | Revision:   | 10.07.2012     |             |